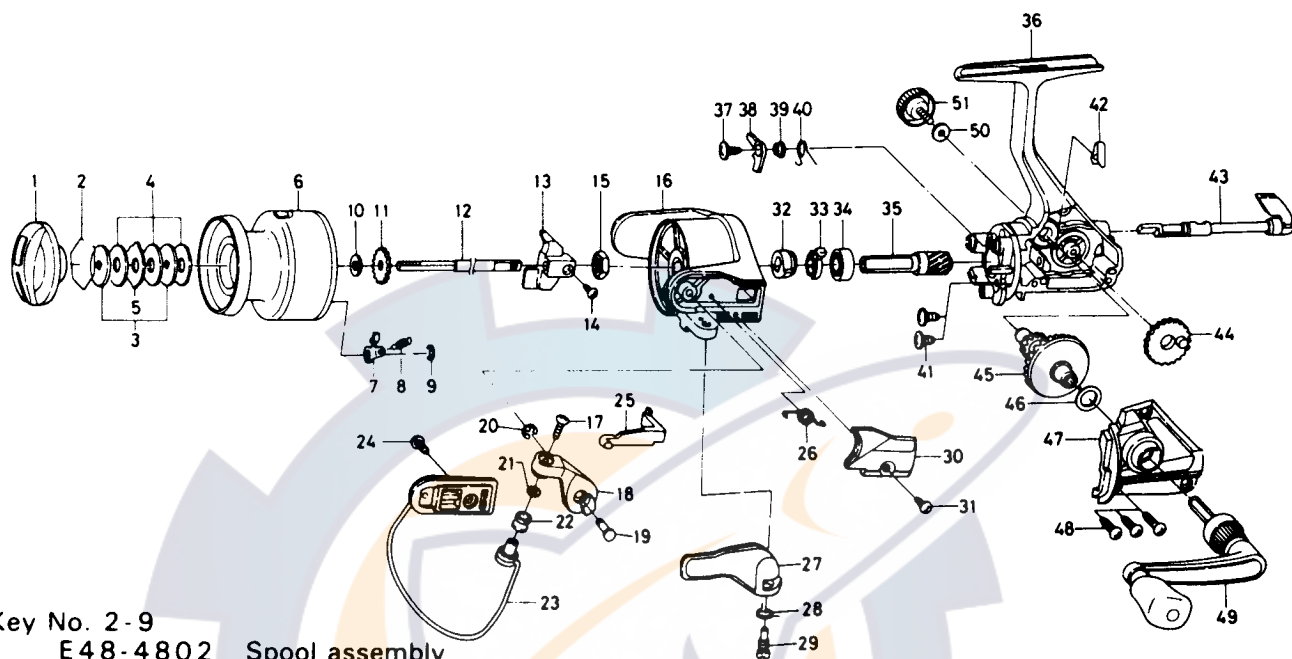


SPINNING REEL — D25XB



Key No. 2-9
E48-4802 Spool assembly

Key No.	Parts No.	Parts Name	Key No.	Parts No.	Parts Name
1	F10-7402	Drag knob	27	F11-0602	Trigger lever
2	171-7701	Drag washer retainer	28	E36-9901	Trigger spring
3	E46-7201	Key washer	29	E37-0001	Trigger screw
4	E13-6003	Drag washer	30	E49-4201	Bail spring cover
5	373-3603	Eared washer	31	E36-4202	Bail spring cover screw
6	E48-4702	Spool assembly	32	E49-2401	Anti-reverse ratchet
7	B07-5304	Click pawl	33	E38-5501	Anti-reverse pawl spring A
8	E40-3101	Click spring	34	L03-6601	Ball bearing
9	320-5901	Click retainer	35	E30-3401	Pinion gear
10	E46-7101	Spool washer	36	F21-2801	Body assembly
11	270-6501	Click gear	37	L00-1801	Anti-reverse pawl screw
12	E48-4301	Main shaft	38	L01-4401	Anti-reverse pawl
13	E45-1401	Oscillating slider	39	L01-4302	Anti-reverse pawl collar
14	351-0315	Oscillating slider screw	40	L00-1501	Anti-reverse pawl spring B
15	341-9201	Rotor nut	41	E03-7801	Bearing retainer screw
16	F11-1202	Rotor	42	E32-7801	Anti-reverse cam spring
17	B67-9304	Line roller screw	43	F08-5110	Anti-reverse lever
18	E49-4101	Bail arm	44	E45-1301	Oscillating gear
19	E49-3501	Bail arm screw	45	F08-4801	Drive gear
20	320-5901	Bail arm screw retainer	46	373-7800	Drive gear washer
21	B55-4301	Line roller washer	47	F10-5506	Side cover
22	L01-8201	Line roller	48	B83-5002	Side cover screw
23	E49-3601	Bail assembly	49	E49-3801	Handle assembly
24	L01-1702	Bail trip cam screw	50	B92-4902	Handle lock washer
25	E45-1601	Bail trip lever	51	B92-5001	Handle lock screw
26	F22-2601	Bail spring			